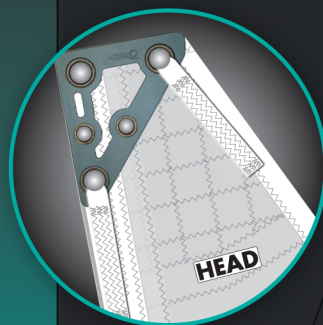


Evaluate sail quality by looking closely at the details. Excellence is the hallmark of a Quantum® sail. Below are a few of the quality details that define a Quantum® sail and ensure long-lasting performance.

QUALITY IS IN THE DETAILS

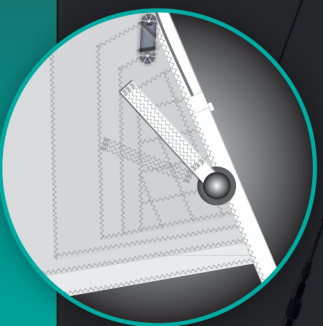
CUSTOM HEADBOARD

Custom aluminum headboard installation utilizes stainless steel pressed rings (as opposed to rivets) reinforced with webbing.



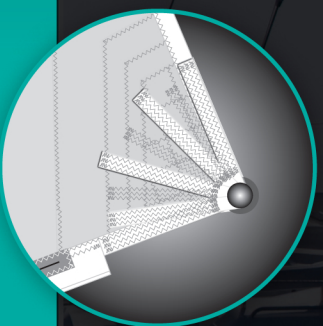
REEF DETAILS

Mainsail leech reef detail showing extensive, oversized reef patching, "quilted" stitching, stainless steel press rings reinforced with webbing, separate aluminum leech cord cleat hand stitched.



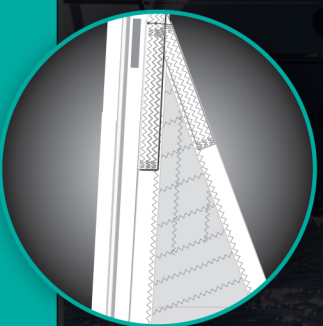
HAND FINISHING

Custom, webbed on stainless steel clew ring in oversized clew patch finished with three rows of hand stitching.



CORNER REINFORCEMENTS

Headsail head detail showing oversized corner reinforcement, glued and secured with "quilted" stitching, luff tape finishing, external leech cord terminus (simplifying repair or replacement), and webbing attachment for halyard.



Quantum also offers membrane sails for cruising, which offer superior shape-holding and greater control. To learn more about Fusion M® sails contact your local loft or visit our website, www.QuantumSails.com.

PHOTO CREDITS: Photos courtesy of Passport Yachts
031212 ©2012 Quantum Sail Design Group, LLC. All rights reserved.

QUANTUM
SAIL DESIGN GROUP

QUANTUM Corfu
Tel. +30 26610 90130, +30 26610 90552
email: giatrasails@hotmail.com

QUANTUM Lefkas
Tel./Fax +30 26450 21461
email: waypointsails@yahoo.com

QUANTUM
SAIL DESIGN GROUP

WOVEN POLYESTER CRUISING SAILS



WHY CHOOSE QUANTUM?

THE QUANTUM[®] EXPERIENCE

At Quantum, our mission is simple: to add more fun and enjoyment to the sailing experience. To accomplish this, we build the very best sails possible with every detail of the design and construction process executed to the highest standard. You may be able to find a woven polyester (Dacron[®]) cruising sail for less, but you won't find one that delivers the same level of quality, performance, satisfaction, or pride of ownership. Just as important, is the high level of expertise, support and service that is the foundation of the Quantum[®] Experience, providing you with a trusted resource and partner for all your sail needs.

▶ EXPERT CONSULTATION

To guide you through choices of materials, hardware, sizing, etc.

▶ DETAILED, ON-BOARD MEASUREMENT

To ensure a perfect, custom fit.

▶ COLLABORATION

Your involvement throughout the process, so you know what you are getting and why.

▶ SAIL INSTALLATION AND INSTRUCTION

To fit, fine-tune, and instruct you in use and care.

▶ WARRANTY

Simply the best in the business, backed by sailing and service experts located around the globe.

▶ LONG-TERM SERVICE

Professional, certified technicians at more than 50 locations to care for your sails and help you get the most out of your investment.

Ultimately, we provide the cruising sailor something no other sail maker does: the same level of attention, technology, engineering expertise, and service, which most sail makers provide only to their racing clients.

PERFORMANCE FOR THE CRUISING SAILOR

Sail performance is every bit as important to cruisers as it is to racers; it's simply defined differently. High-quality cruising sails must be rugged, reliable, and easy to maintain. Since changing sails is not usually an option, they must be versatile in a range of conditions. They must also be easy to handle and put you in control instead of the elements, helping to contain heel and minimize helm. Above all, they should help you sail your boat with ease so you are free to enjoy the sheer pleasure of the sport.

To deliver top-level cruising sail performance, Quantum designs and builds the very best sails possible with every detail of the process executed to the highest standards.

THE RIGHT MATERIAL

Without proper materials, the promise of the best design and construction techniques cannot be realized. The woven polyester used in Quantum's cruising sails is the best available, featuring a tight weave, high tenacity yarns, and the finest finishing techniques for maximum stretch resistance. This is the only way to create durable sails with exceptional shape-holding ability and longevity. All woven materials are not created equal; there are variations in yarn type, thickness, weave and finish. We test and use only top-grade sailcloth, appropriate to the application, selected from the best that leading suppliers have to offer.

THE IDEAL SAIL SHAPE

Ultimately, shape makes the difference. Quantum uses a suite of the most sophisticated computational design tools in the hands of some of the most experienced, talented designers. Our proprietary iQ Technology[®] combines three dimensional shaping, computational fluid dynamics, and finite element analysis (FEA) to create custom shaping, tailored on a sail-by-sail basis to expected usage and boat-specific constraints such as mast bend, displacement, and righting moment. The resulting sail shape features a smooth, flat aerodynamic profile for optimum upwind performance, with an open trailing edge to reduce heeling and weather helm. The shape allows sailing into a higher range of wind conditions before reefing or furling becomes necessary.

QUALITY, DURABILITY AND RELIABILITY

Quantum's woven polyester sails are built to take on the most ambitious sailing plans with every aspect of sail construction executed to the highest possible standards. With the Quantum Construction Manual providing more than a 1,000 pages of concise detail, you can be assured of consistent quality no matter where you buy your Quantum[®] sail. Upon completion, every sail must pass a rigorous 50-point inspection.

Quantum's woven sails are built using modern cross-cut construction techniques. Panels are joined with extra-wide seams using a combination of adhesives and multiple rows of triple-throw stitching and "butterfly" reinforcements at both the inboard and outboard ends.

Over-sized, tear-drop-shaped, radial-plied patches are used in all three corners and at each reef to conform to the shape of the primary loadings. Corners are glued and power pressed into position for maximum bonding and smoothness. Quality engineering and construction methods such as these ensure the durability and reliability cruisers need. See more details on page four.

EXTENDED WARRANTY

Quantum stands behind its sails with one of the best warranties in the business. Here's how it works: All new Quantum[®] cruising sails sold in the United States come with a complete one-year warranty. To extend your existing warranty beyond this initial coverage, simply take your sails in for service to any authorized Quantum[®] loft before the end of the year. You will be charged for routine annual maintenance. The Quantum service technician will examine the sail and, assuming it has not been abused and suffered unusual wear, the technician will re-certify the sail for another one-year period.

2000 SERIES

Description	Cross-cut sail made with only the highest quality goods. Tight weave and excellent stretch resistance for exceptional shape-holding.
Boat Size	50' and under
Construction	Crosscut
Material/Fiber	Woven polyester
Sail Color	White
Strength/Weight Ratio	★
Ease of Trim	★★★
Control of Heel	★★
Upwind Performance	★★★
UV Resistance	★★
Reefing	★★
Furling	★★
Durability	★★★★★